



# ***Universal*** **Chiropractic X-Ray Systems**

*Flat Panel DR &  
Classic Film Systems*



# DCChoice™

## Digital Chiropractic Imaging Suite

The DCChoice is an affordable, cost effective flat-panel digital x-ray system that requires considerably less space than bulky CCD systems.

The flat-panel detector is housed in our slim design wall stand with a depth of only 12.25 inches. The side mounted patient hand grips aid patient stabilization.

A floor-wall / floor-ceiling tube stand with electromagnetic locks and angulating tube arm make image acquisition easy and efficient.

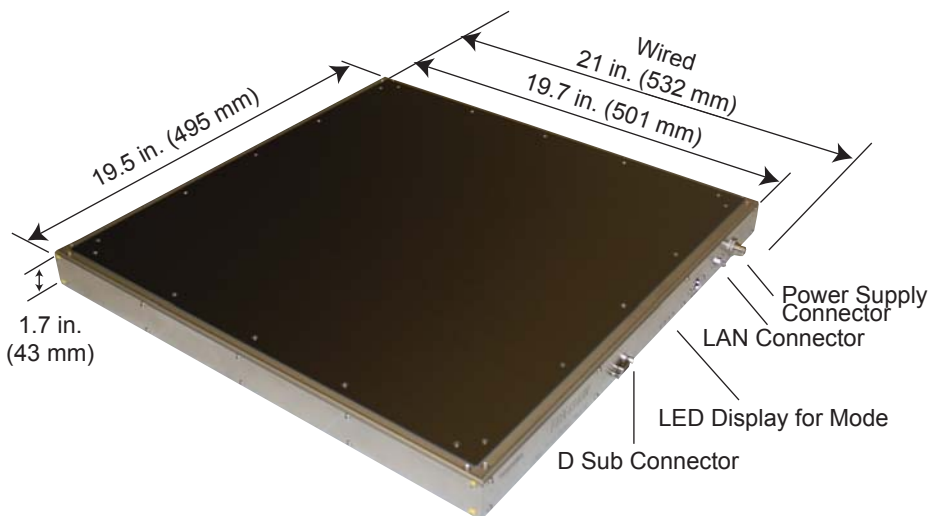
The 200kHu, 0.6 x 1.5 mm focal spot tube ensures high resolution images. Six foot (183 cm) tracks allow for 40" (100 cm) and 72" (180 cm) detector distances. Eight foot tracks are also available.

Customize for your needs with a variety of high frequency generator options. Complete generator integration is possible with our DR series generators.

High definition images are captured with a 9 megapixel Toshiba FDX4343R cesium flat panel detector.



*Digital imaging increases efficiency and eliminates the need for costly cassettes, film, chemistry, processors, darkrooms, film storage, and monthly maintenance.*



Images are displayed in seconds on the Barco 19" TFT, color LCD clinical review display. This 1280 x 1024 resolution display with touch screen interface is DICOM compliant providing more accurate grayscales and better contrast than standard monitors.

See back page for complete detector and acquisition station specifications.

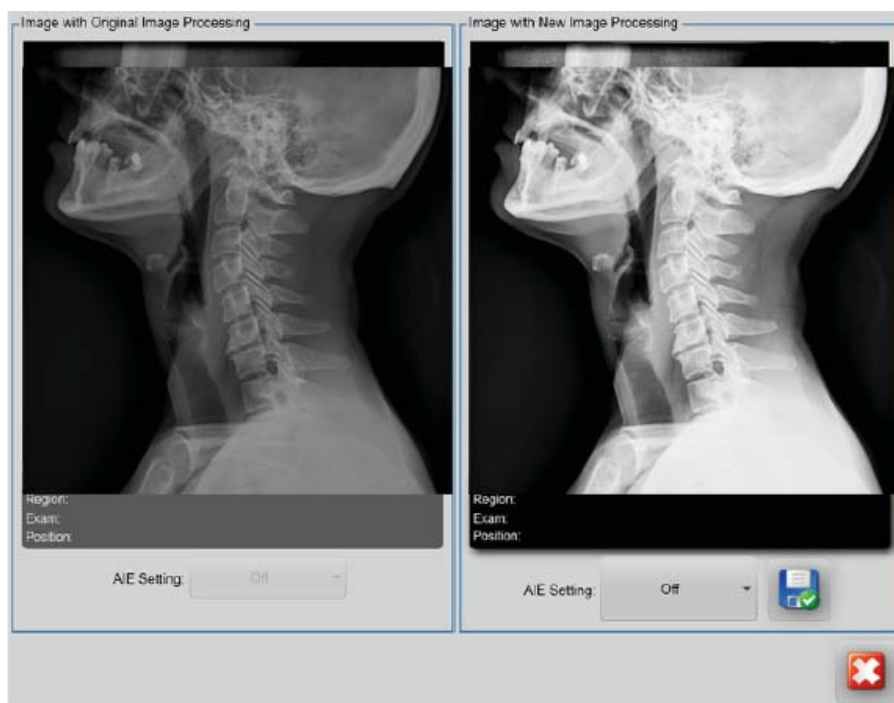


# DC Choice™ DelWorks

## Acquisition & Processing Software

The user-friendly DelWorks acquisition software is easy to operate and features a wide range of tools for a variety of image manipulations. This fully integrated, Windows-based user interface simplifies every step of the examination procedure, including:

- Anatomical programming
- Advanced image processing and algorithms
- QA and post processing of acquired images
- Network connectivity for patient selection
- DICOM Store, DICOM Print and DICOM Modality Worklist
- Image Stitching (optional)



*Automatic image optimization is achieved with the integrated Advanced Image Processing software.*

## Upright Raymaster

### Classic Film System

This sturdy, reliable system will provide years of trouble free operation. The extensive vertical travel of 75.25" (191 cm) allows for complete radiographic coverage from skull to weight bearing studies.

#### System Components:

Floor-Wall/Floor-Ceiling Tube Stand with 6 foot tracks and 140kHu x-ray tube with manual laser-light collimator.

Vertical Wall Stand with electro magnetic lock and 17" x 17" (43 cm x 43 cm) grid cabinet with 10:1 fine line grid for superior film quality. The cassette tray accepts 14" x 17" (35 cm x 43 cm) and smaller cassette sizes.

Available with our HE425 400mA single-phase or ANTHEM anatomically programmed, high frequency generator.



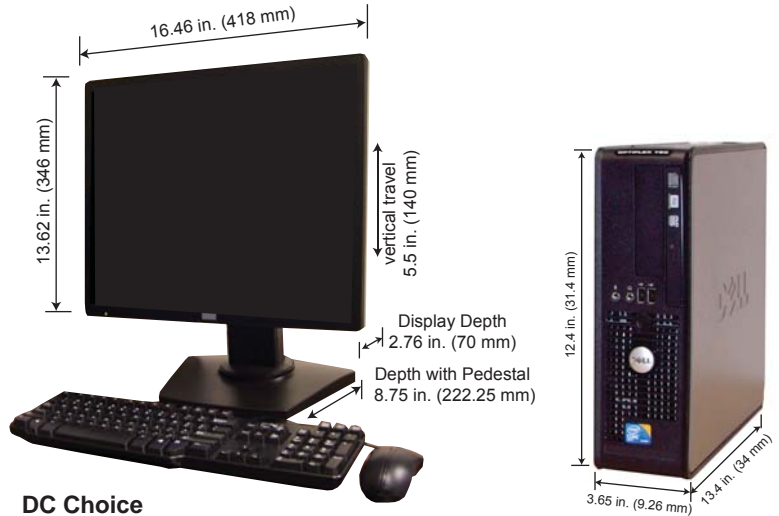
**Universal**

# Specifications

## DC Choice

### DelWorks Acquisition Station Hardware

- Dell Optiplex 780 Small Form Factor Computer with Intel Core 2 Duo 3.0GHz, 4GB RAM, weight 15 lbs. (6.80 kg), keyboard and mouse
- 19" touch screen, flat-panel display, weight 18.74 lbs. (8.5 kg). Rotates 90 degrees landscape/vertical. Approved for medical use, complies with international medical safety and emission standards (CE, UL, EN, etc.)
  - Active screen diagonal 19 in. (483 mm); width 14.80 in. (376 mm); height 11.85 in. (301 mm)
  - Pixel pitch 0.294 mm, 16.8 million colors



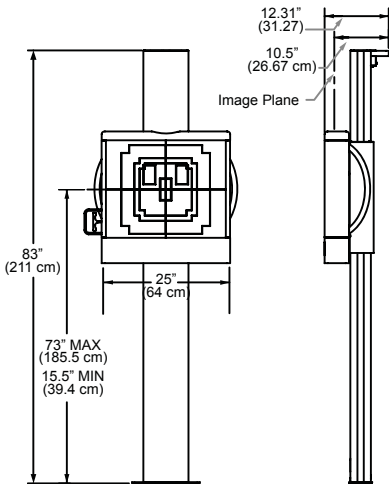
## DC Choice

### DelWorks DR Detector - Toshiba FDX4343R

- Cesium Iodide (CsI) Scintillator with Amorphous Silicon (a-Si) Photodiode
- 17" x 17" detector size (512 x 495 x 43mm), 16.9 x 17.3 inch active area
- 143µm pixel size
- 9 megapixel (3,008 x 3,072 pixels), 3.5 lp/mm
- 6 second cycle time (Shot to shot)
- MTF (2.0 lp/mm, 70 kVp, 1x1) 30% typ., DQE (0), Quantum-Limited >70%
- Operating temperature +50° F to +95° F
- 14 bit A/D conversion
- 16 bit digital output (1000 Base-T)
- External X-Ray synchronization control (using included external synchronization device)

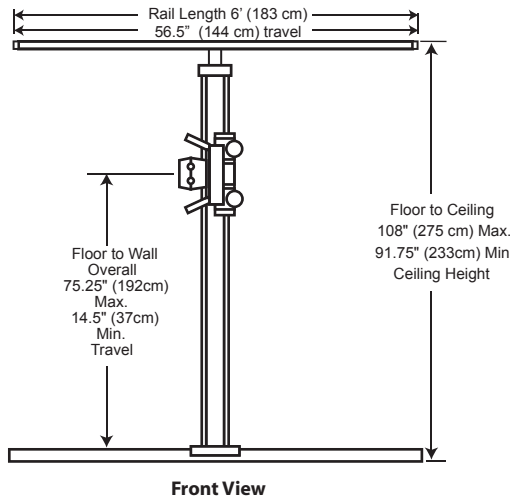


### DCChoice Wall Stand

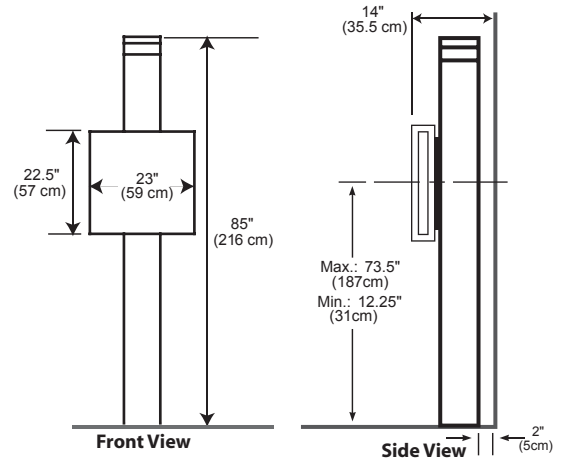


### FW/FC Tube Stand

(Common on DC Choice & Upright Raymaster)



### Upright Raymaster Wall Stand



Universal branded products are manufactured by Del Medical, an ISO 13485 & ISO9001 Certified Facility. Complies with all CDRH performance standards in effect at the date of manufacture. As we strive for constant improvement, specifications are subject to change without notice. UL Classified / ETL Listed

## DEL MEDICAL

Toll Free: (800) 800-6006  
 Fax: (847) 288-7011  
 Email: [info@delmedical.com](mailto:info@delmedical.com)  
[www.delmedical.com](http://www.delmedical.com)  
 50 N. Gary Ave., Suite B, Roselle, IL 60172



Toll Free: (800) 261-9808  
 Fax: (914) 835-6111  
 Email: [info@umgxray.com](mailto:info@umgxray.com)  
[www.umgxray.com](http://www.umgxray.com)  
 28 Calvert Street, Harrison, NY 10528