

A PRACTICAL SOLUTION FOR VETERINARY CLINICS

myvet table X500

Digital Radiographic Table
with 17x17 inch Tethered DR Panel

- Powerful 32kW generator
- 17"x17" CsI tethered flat panel detector
- 4-way floating table for easy animal positioning
- Compact design to optimizes placement
- Intuitive user interface panel



Compact, Powerful and Integrated X-ray System

Powerful and Practical

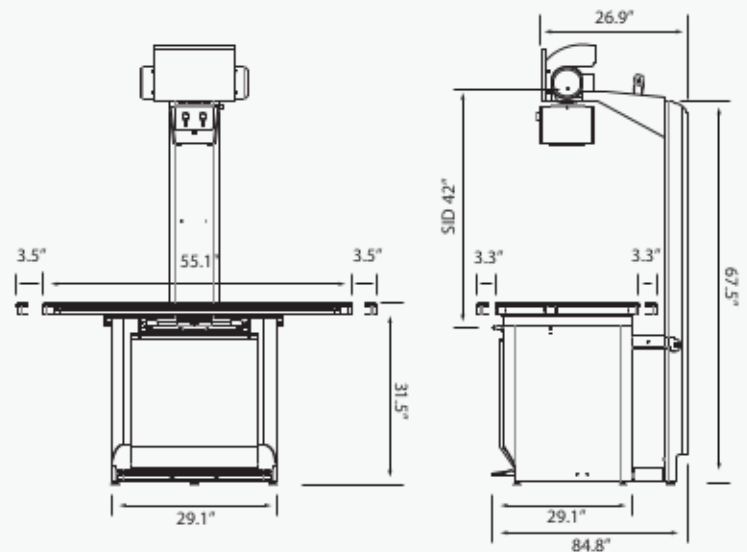
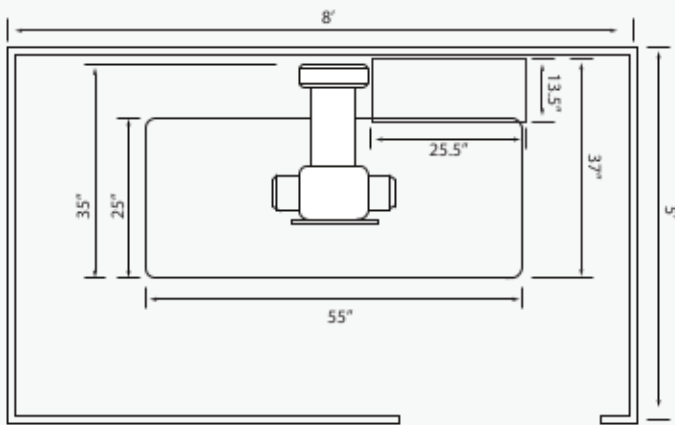
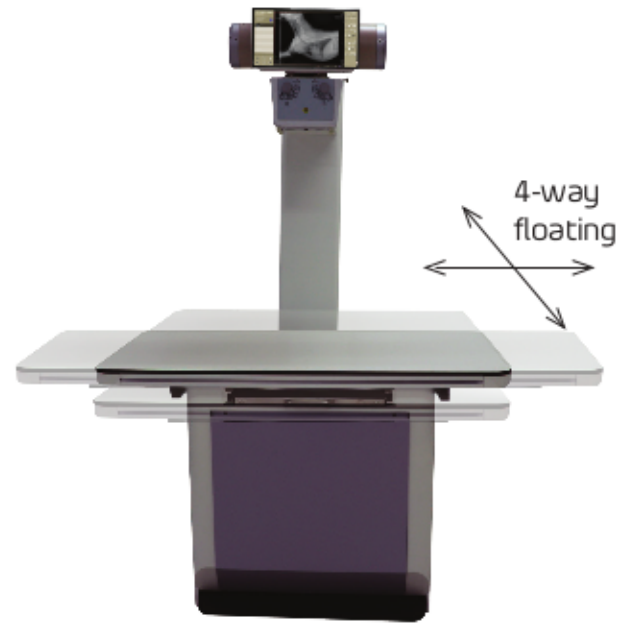
The 32kW high frequency generator ensures the lowest dose exposures by optimal exposure techniques by selecting the maximum mA based on kVp and mAs. A rotating anode x-ray tube with dual focal spots provides superb image quality for confident diagnosis.

Integrated and Efficient

A robust tube stand mounted directly to the table that houses the generator offers the most space-saving solution for any clinical environment. Spring-activated locks quietly release the four-way floating tabletop that helps calm animals as they are positioned on the table.

Compact and Convenient

The X500, with a small working footprint (29" x 35") and tethered 17" x 17" Cesium Iodide flat panel detector, provides a veterinary practitioner a compact and powerful digital x-ray system for all of their imaging needs.



Flat Panel Detector

| | |
|----------------|----------------------------|
| Detection Area | 17 x 17 in |
| Sensor Type | Amorphous Silicon with TFT |
| Scintillator | Cesium-Iodide(CsI) |

* Specifications subject to change without prior notice *

Generator

| | |
|------------|------------|
| Model | X500 |
| Max Output | 32kW |
| kV Range | 40-125kV |
| mA Range | 10-400mA |
| mAs Range | 0.1-630mAs |

myvet table X500



81 Ruckman Rd. Closter NJ 07624
Tel: 201.561.0223 Support: 201.585.0302
information@myvetimaging.com www.myvetimaging.com